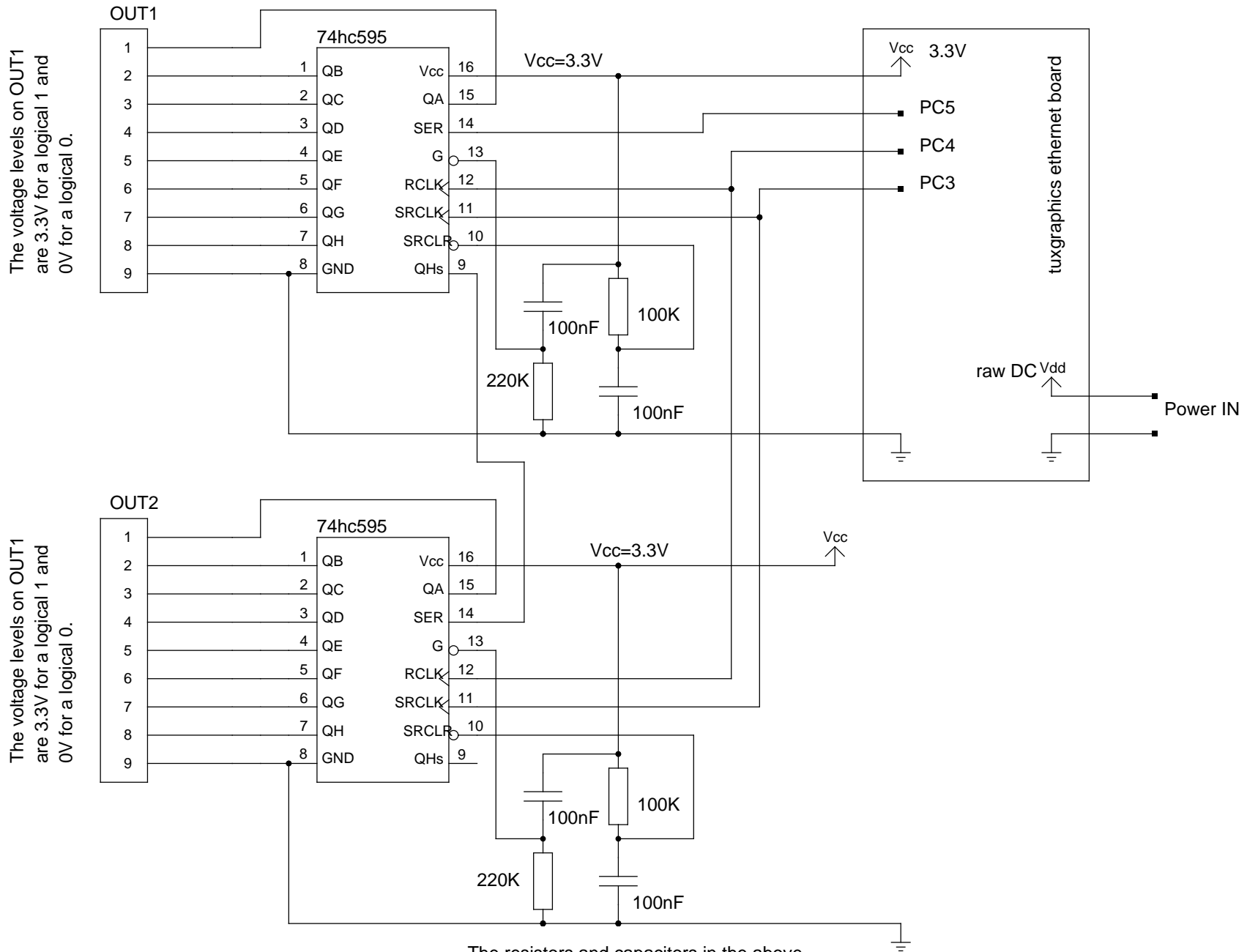


# Chaining 74HC595 chips to get 16 output lines.



The resistors and capacitors in the above circuit are needed to avoid undefined voltage peaks on the output lines at power-on.