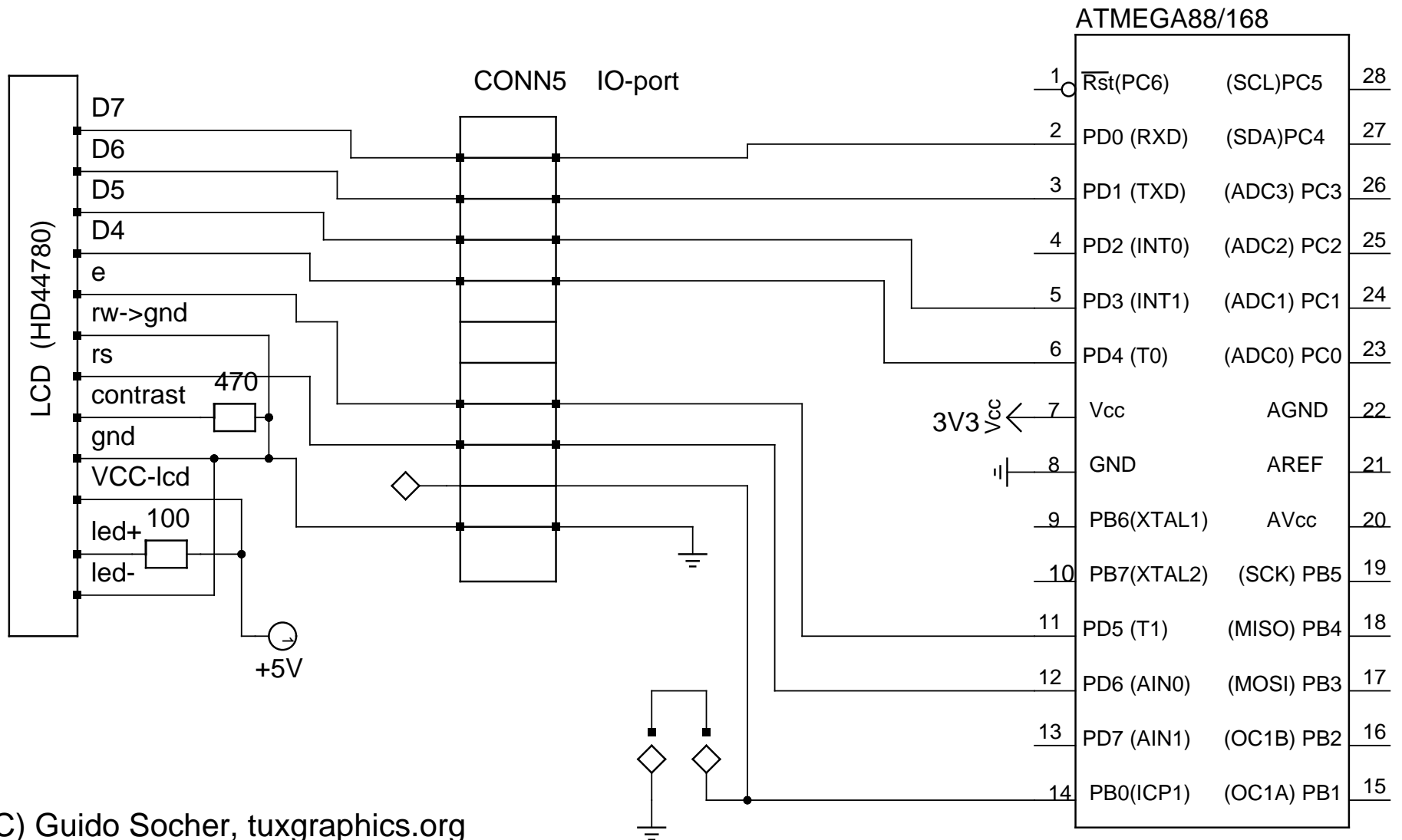


AVR NTP Clock

(only the connections of the LCD display to the atmega168 uC are shown here. For all other connections see the circuit diagram of the ethernet remote device circuit)



(C) Guido Socher, tuxgraphics.org
<http://tuxgraphics.org/electronics/>

Reset to "factory default"

The clock requires an ATMEGA168