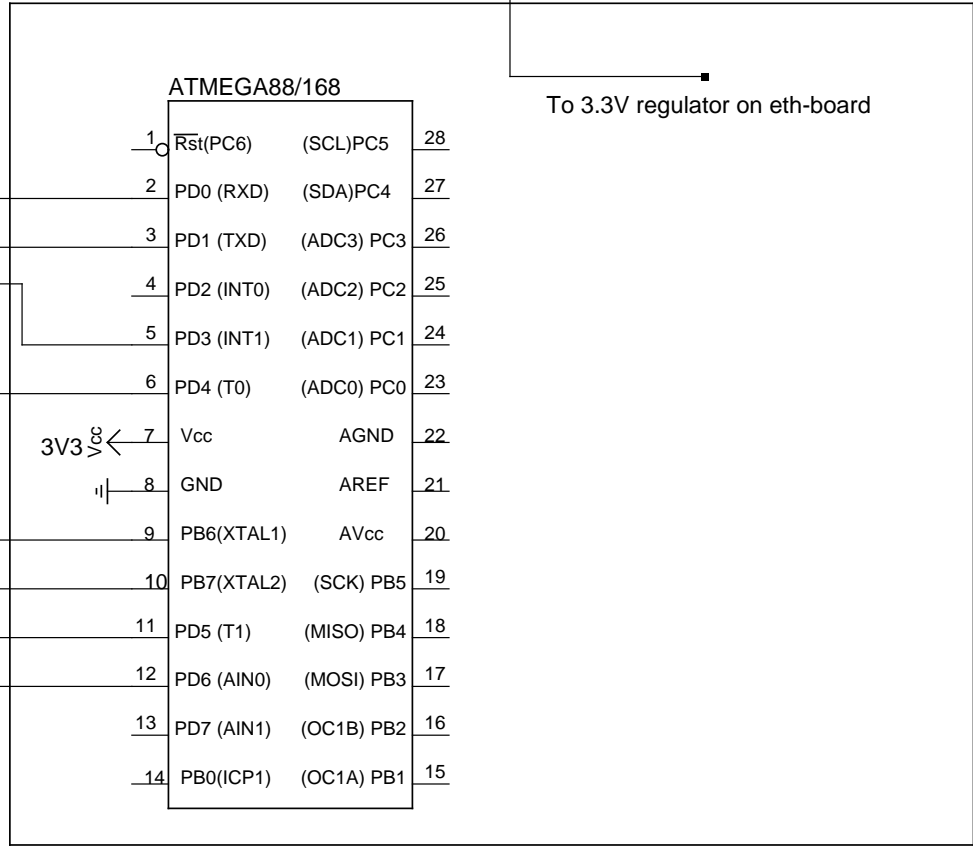
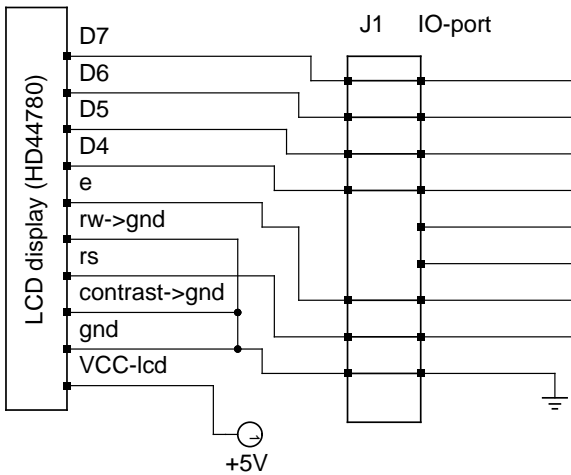
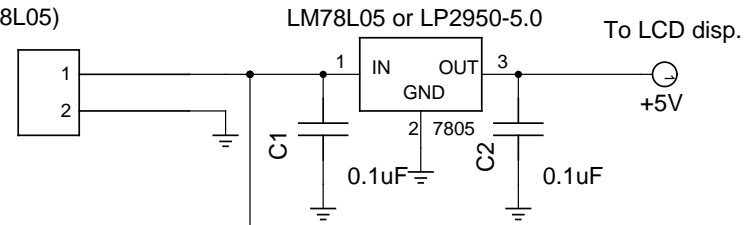


Ethernet remote device controller/sensor with LCD display

(only the connections of the LCD display to the atmega uC are shown here. For all other connections see the circuit diagram of the ethernet remote device circuit)

Proposal for a 5V power supply

6-12V (LP2950-5.0)
7-12V (78L05)



(C) Guido Socher, tuxgraphics.org
<http://tuxgraphics.org/electronics/>